

# NVR301-08S2-P8



## Key Features

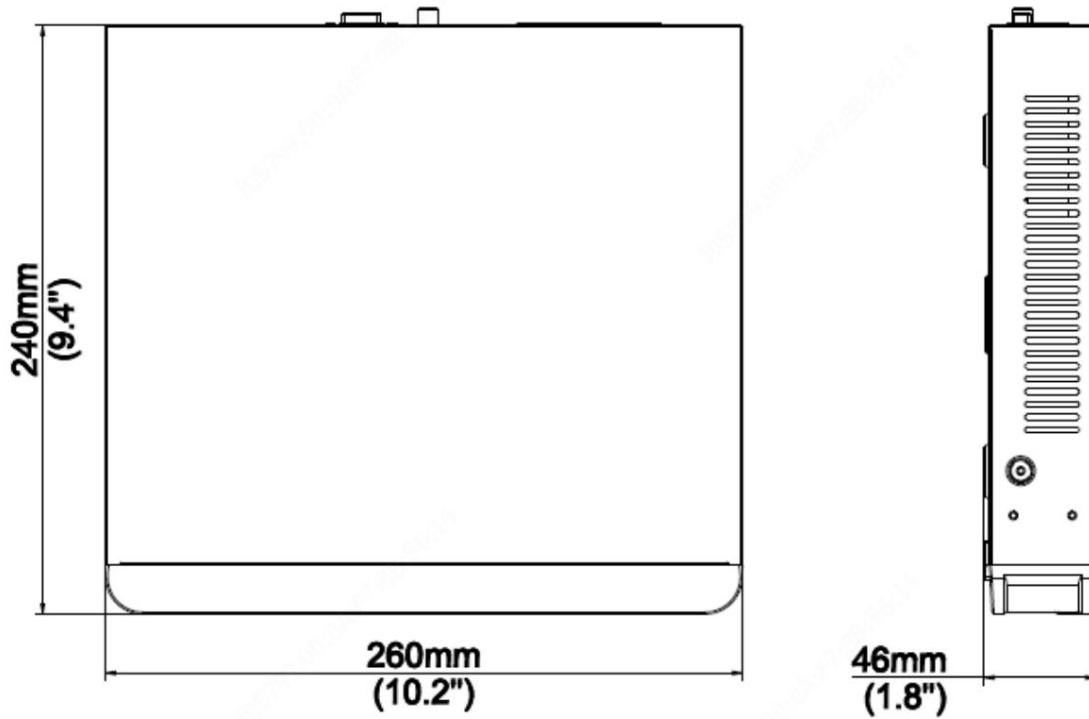
- Supports Ultra 265/H.265/H.264 video formats
- 8-channel input
- Supported third-party IP cameras with ONVIF compliance: Profile S, Profile G, Profile T Supports 1-ch HDMI, 1-ch VGA
- Simultaneous HDMI and VGA output
- Record up to 6MP resolution
- 1 SATA HDD (up to 10 TB)
- Cloud upgrade support

## Specifications

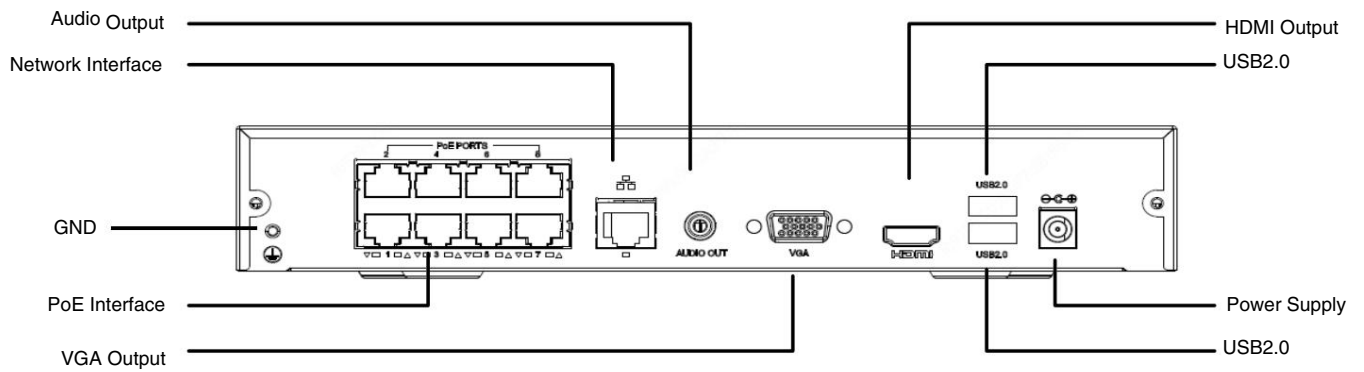
Model	NVR301-08S2-P8
<b>Video/Audio Input</b>	
IP Video Input	8-ch
<b>White</b>	
Incoming Bandwidth	50Mbps
Outgoing Bandwidth	40Mbps
Remote Users	128
Protocols	P2P, UPnP, NTP, DHCP, PPPoE
<b>Video/Audio Output</b>	
HDMI/VGA Output	HDMI: 1920x1080p/60Hz, 1920x1080p/50Hz, 1600x1200/60Hz, 1280x1024/60Hz, 1280x720/60Hz, 1024x768/60Hz VGA: 1920x1080p/60Hz, 1920x1080p/50Hz, 1600x1200/60Hz, 1280x1024/60Hz, 1280x720/60Hz, 1024x768/60Hz
Recording Resolution	6MP/5MP/4MP/3MP/1080p/960p/720p/D1/2CIF/CIF
Sync Playback	8-ch
Corridor Mode Display	3/4/5/7/9
<b>Decoding</b>	

Decoding Format	Ultra 265/H.265/H.264
Live View/Playback	6MP/5MP/4MP/3MP/1080p/960p/720p/D1/2CIF/CIF
Capability	1 x 6MP@20, 1 x 5MP@30, 2 x 4MP@25, 2 x 3MP@30, 4 x 1080p@25, 8 x 960p@25, 8 x 720p@30
<b>Hard Disk</b>	
SATA	1 SATA interface
Capacity	Up to 10TB per disc
<b>Smart</b>	
VCA Detection	Face detection, Intrusion detection, Cross line detection, Audio detection.
<b>External Interface</b>	
Network Interface	1 RJ45 10M/100M self-adaptive Ethernet Interface
USB Interface	Arka panel: 2 x USB2.0
Supported Standard	IEEE 802.3at, IEEE 802.3af
<b>External Interface</b>	
Interface	8 independent 100 Mbps PoE network interfaces
Max Power	Max 30W for single input Max 108W in total (13.5W for each)
Supported Standard	IEEE 802.3at, IEEE 802.3af
<b>General</b>	
Power source	52V DC Power Consumption: $\bar{y}$ 9 W (excluding HDD)
Working Environment	-10°C ~ +55°C (+14°F ~ +131°F), Humidity $\bar{y}$ 90% RH (non-condensing)
Dimensions (WxDxH)	260mm x 240mm x 46mm (10.2"x9.4"x1.8")
Weight (excluding HDD)	1.1kg (2.43 lb)

## Dimensions



## Back Panel



### Zhejiang Uniview Technologies Co., Ltd.

Building No.10, Wanlun Science Park, Jiangling Road 88, Binjiang District, Hangzhou, Zhejiang, China

Email: [overseasbusiness@uniview.com](mailto:overseasbusiness@uniview.com); [globalsupport@uniview.com](mailto:globalsupport@uniview.com)

<http://www.uniview.com>

© 2019 Zhejiang Uniview Technologies Co., Ltd. All rights reserved.

\*Product specifications and availability are subject to change without notice.