



GyroPass

Motorised revolving door for internal/semi external installation

GyroPass is a premium environmental motorised revolving door. It is an elegant design able to maintain visible the existing finished floor.

Safety is guaranteed by adjustable torque sensing and safety edges for the forward and reverse directions. Emergency wing break-out facility is available.

GyroPass offers as standard a day-mode functionality selectable in entry or exit or both directions to leave a free passage.

All parameters and functionalities are programmable via a user friendly tablet interface.

A complete list of accessories and options, includes manual or motorised night shutters, and a wide selection of finishes and dimensions.

GyroPass is also provided with mechanical key lock to secure the door.

A set of LED in both direction indicates the status of the unit in order to communicate easily the door's conditions to the users.

GUNNEBO[®]
For a safer world

Drive

Motorised security revolving door. Safety torque sensing. Logic voltage 24Vac.

Materials

Frame and cornice: Embossed painted steel section powder coated finish RAL color 9006

Frame glazing: 8 - 9 mm 2 ply laminated glass,

Rotor wings: Aluminium frame, finish silver RAL 7040.

8 - 9 mm 2 ply laminated glass, safety manifestations on moving glass wings

Ceiling: Laminated HPL finished Pearl Grey

Walkway down lights

3N° in 3 sector and 4N° in 4 sector recessed low voltage Mains LED down lights are positioned within the ceiling over each quadrant

Power Failure / Fire Alarm

The wings will rotate by the inbuilt battery back up (BBU) to the safe position in order to allow to escape from each sector and stop and become inactive. The door will remain in this position until power is restored. A normally closed (NC) signal is required from others to effect this state.

Additional interface

Momentary zero volt (0V) normally open (NO) signal is provided by either a card reader or push button input of duration between 0.5 and 1.0 seconds. The card reader inhibits, resets, and passage confirmation as standard.

TECHNICAL DATA

- ③ Power Supply 230Vac 50Hz or 115 Vac 60 HZ
- ③ Power Rating 230V AC - 1,4 A/115V AC - 2,8 A
- ③ Logic voltage 24V DC
- ③ Operating Temperature From 0° to 50°
- ③ IP rating/ MCBF/MTTR IP33/1,5M cycles / less than 30 min
- ③ Flow Rates (approximate figures):
 - Proximity Reader: "Hands Free", 48 passages per minute (simultaneously in both directions)
 - Pin Pad: 30 passages per minute (simultaneously in both directions)
 - Proximity Reader + Pin Pad: 20 passages per minute (simultaneously in both directions)

MODELS

- 2000 mm Internal diameter 3 / 4 wings
- 2180 mm Internal diameter 3 / 4 wings
- 2680 mm Internal diameter 3 / 4 wings
- 3180 mm Internal diameter 3 / 4 wings
- 3680 mm Internal diameter 3 / 4 wings

OPTIONS

- ③ Alternative finishes and materials
- ③ Breakout wings
- ③ External night shutters
- ③ 11mm glass
- ③ Anti-panic push button
- ③ Card reader integration
- ③ Push button control
- ③ Status light pictograms
- ③ BR1 BR2 BR3 BR4 EN1063
- ③ RC1 RC2 RC3 EN 1627

BENEFITS

- ③ High throughput solution
- ③ Elegant design
- ③ Efficient flow management

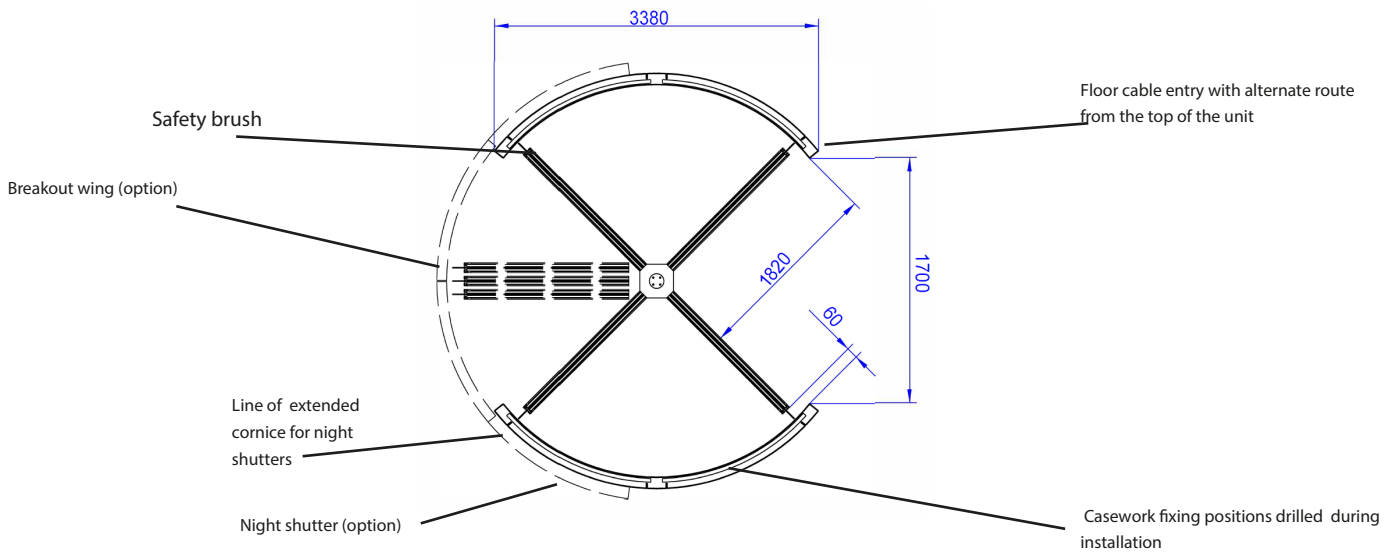
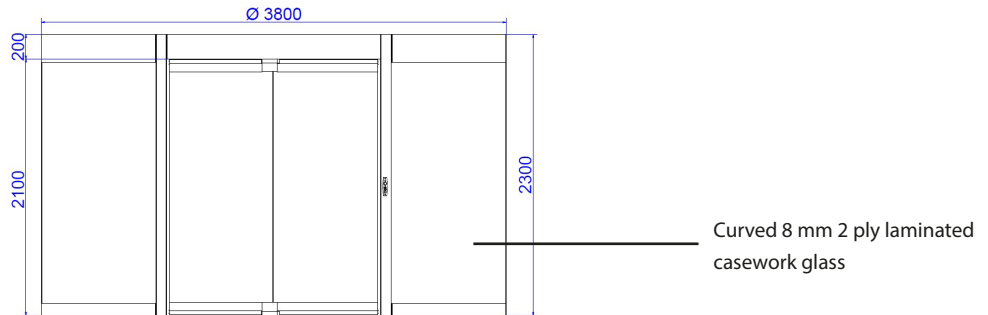
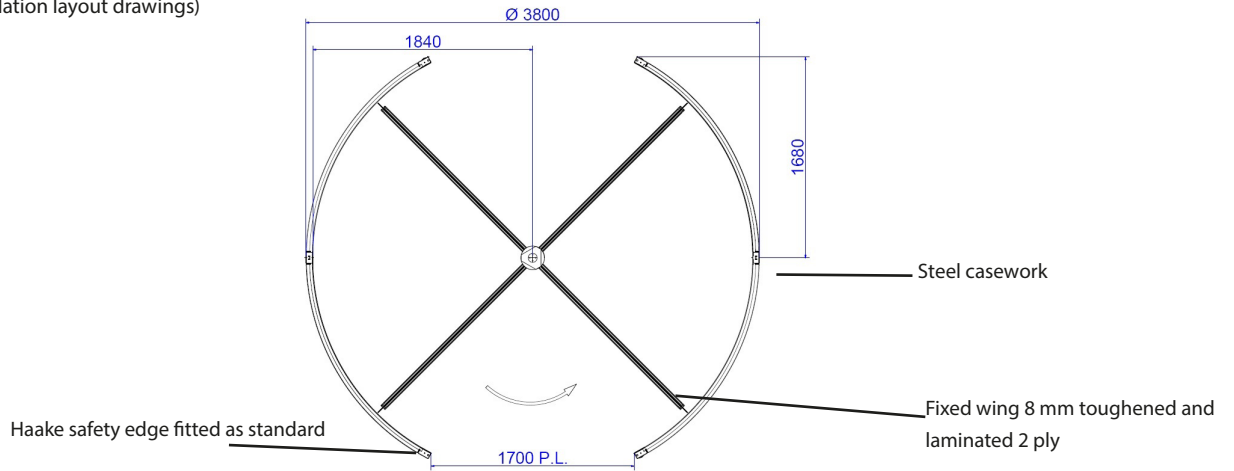
APPLICATIONS

- ③ Government
- ③ Banking
- ③ Research & Science
- ③ Education
- ③ Information Technology
- ③ Telecommunications...

GUNNEBO®
For a safer world

SITE PREPARATION : GyroPass 3680 4 wings

Product is delivered in a kit form and requires lifting equipment. Approx. Weight 1480 kg (for installation details, please refer to installation layout drawings)

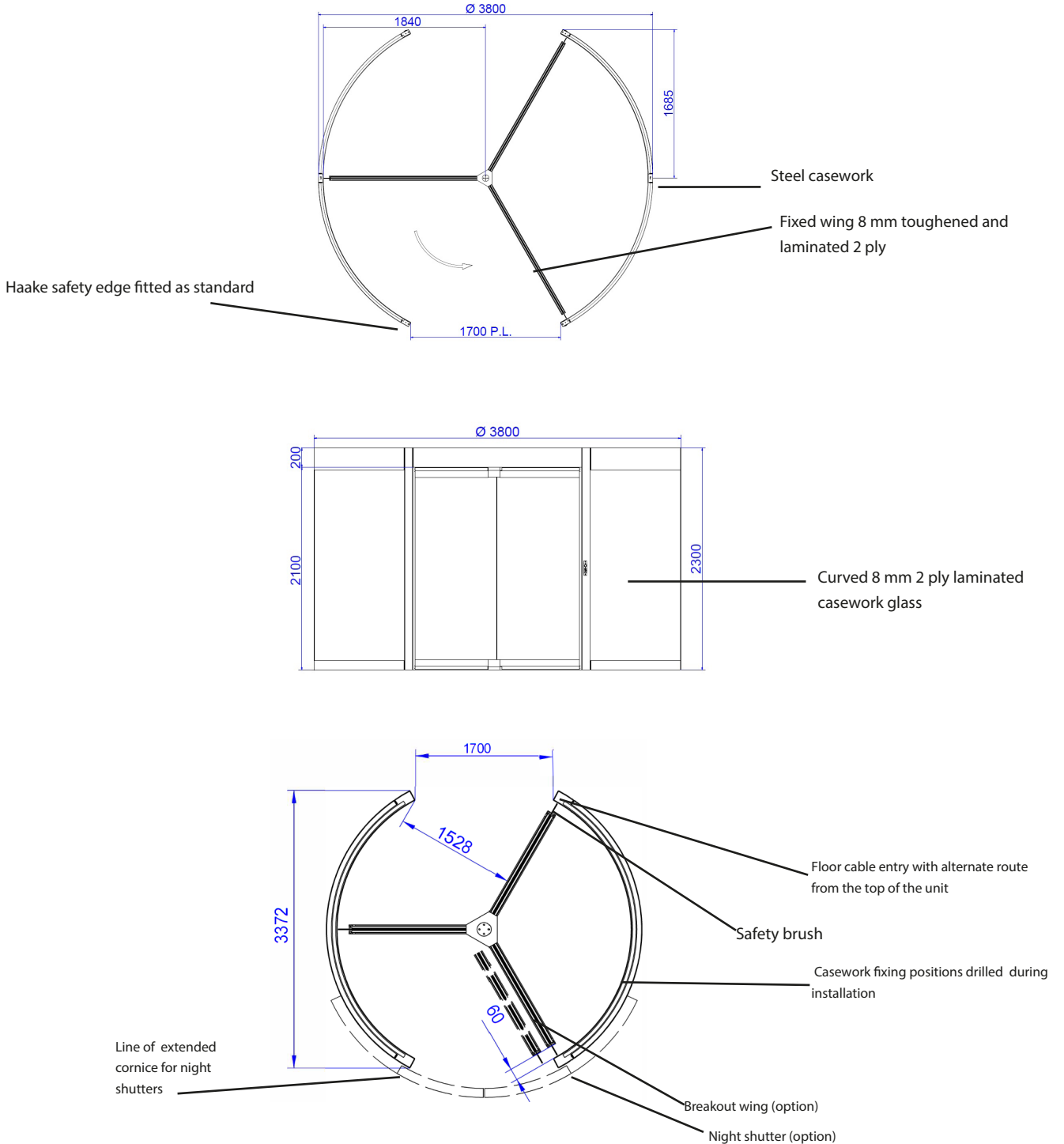


Concrete Base to specification at least (cube) 30N/mm² of resistance. Base to be flat and level to +/-5mm over footprint area. Dimensions to be > 3900 x 3900 x 150 deep min. (units in mm).



SITE PREPARATION : GyroPass 3680 3 wings

Product is delivered in a kit form and requires lifting equipment. Approx. Weight 1480 kg (for installation details, please refer to installation layout drawings)

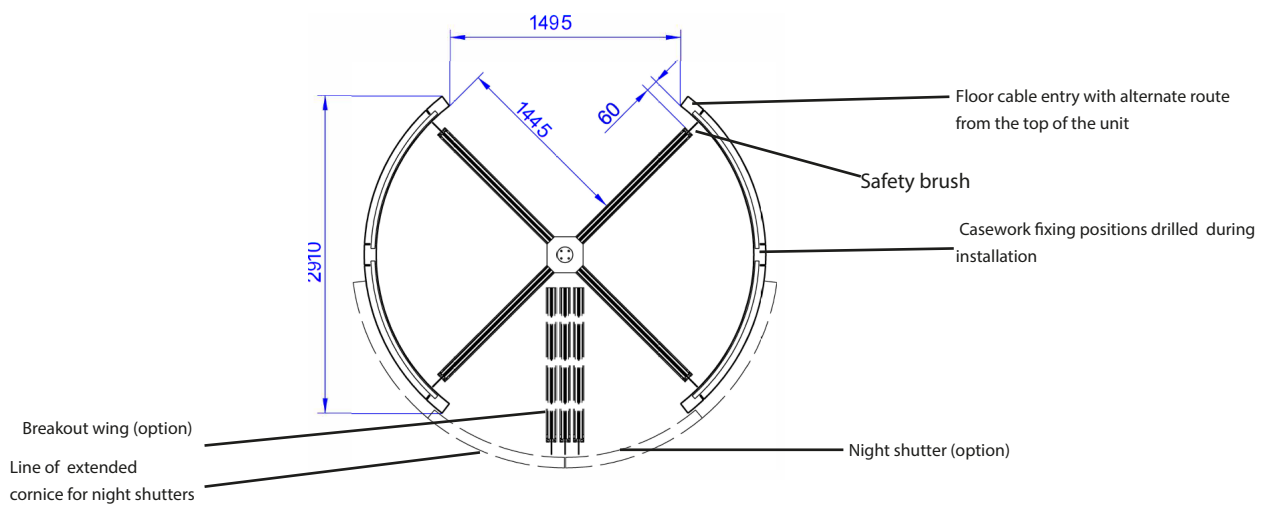
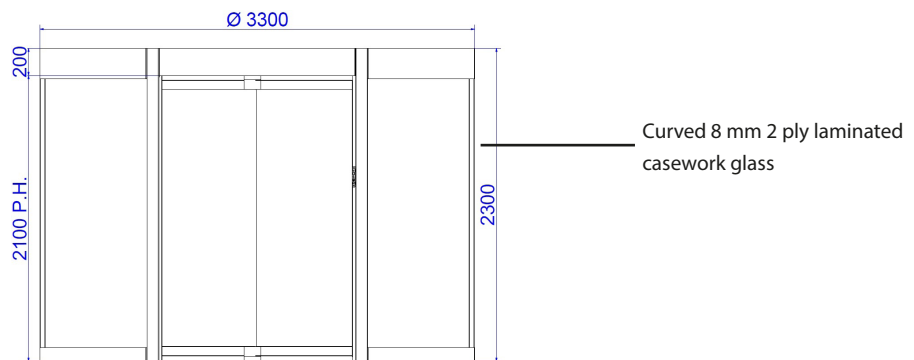
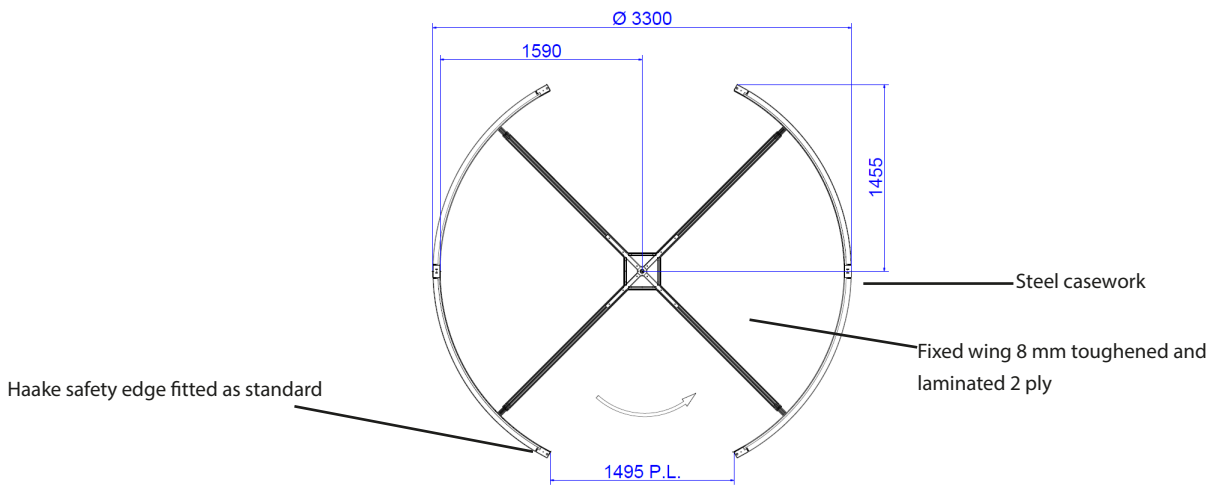


Concrete Base to specification at least (cube) 30N/mm² of resistance. Base to be flat and level to +/-5mm over footprint area. Dimensions to be > 3900 x 3900 x 150 deep min. (units in mm).



SITE PREPARATION : GyroPass 3180 4 wings

Product is delivered in a kit form and requires lifting equipment. Approx. Weight 1300 kg (for installation details, please refer to installation layout drawings)

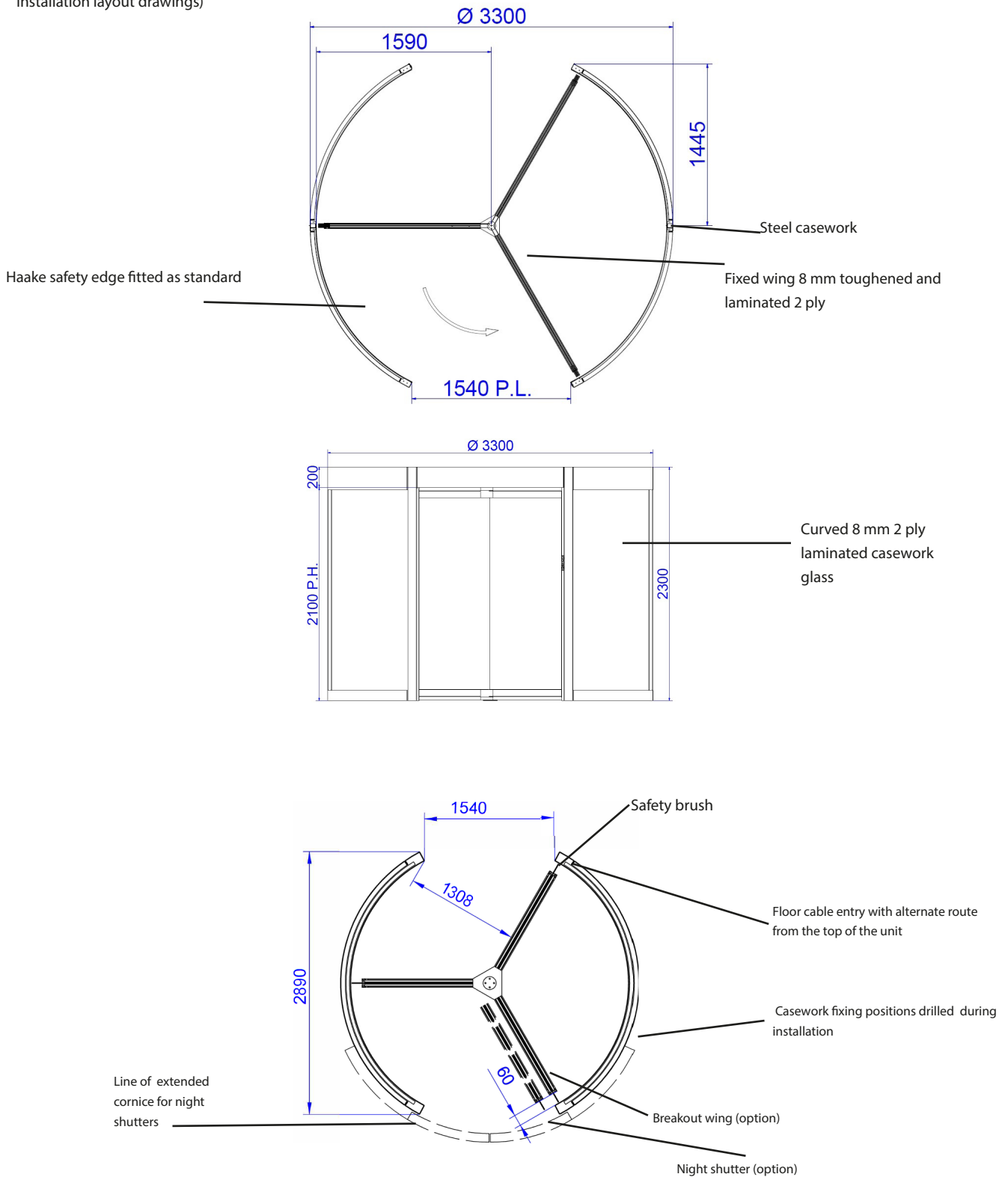


Concrete Base to specification at least (cube) 30N/mm² of resistance. Base to be flat and level to +/-5mm over footprint area. Dimensions to be > 3400 x 3400 x 150 deep min. (units in mm).



SITE PREPARATION : GyroPass 3180 3 wings

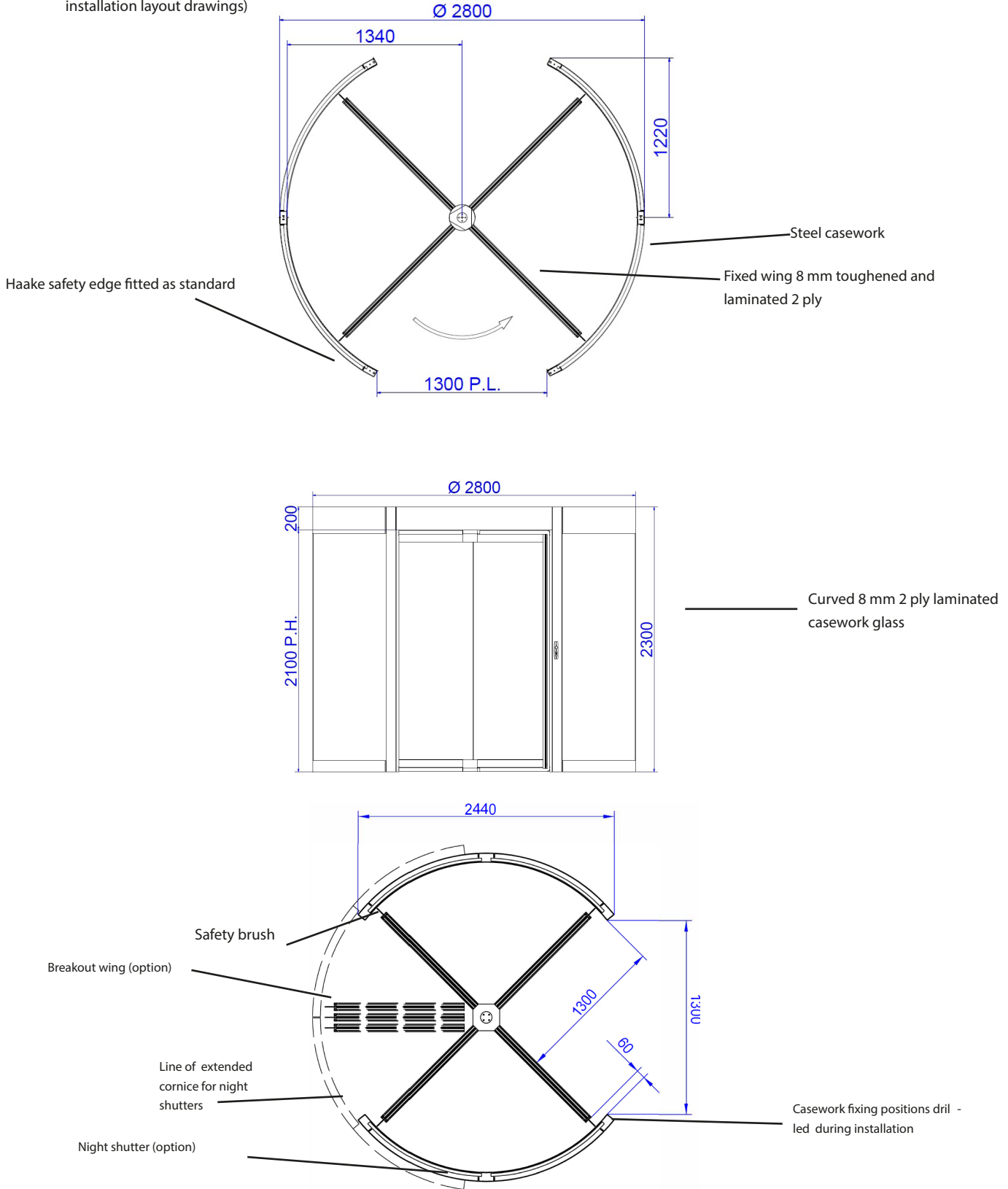
Product is delivered in a kit form and requires lifting equipment. Approx. Weight 1300 kg (for installation details, please refer to installation layout drawings)



Concrete Base to specification at least (cube) 30N/mm² of resistance. Base to be flat and level to +/-5mm over footprint area. Dimensions to be > 3400 x 3400 x 150 deep min. (units in mm).

SITE PREPARATION : GyroPass 2680 4 wings

Product is delivered in a kit form and requires lifting equipment. Approx. Weight 1160 kg (for installation details, please refer to installation layout drawings)

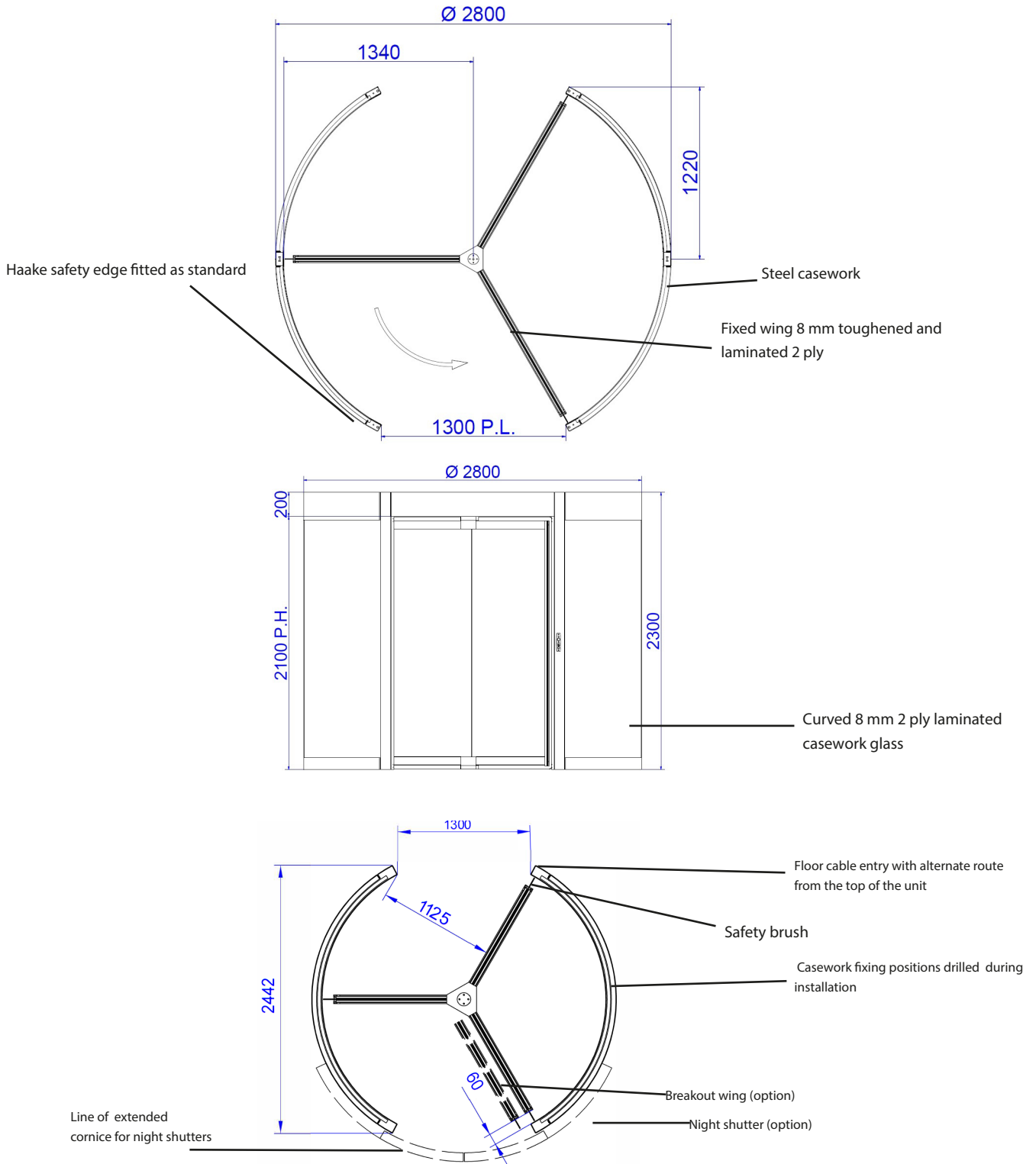


Concrete Base to specification at least (cube) 30N/mm² of resistance. Base to be flat and level to +/-5mm over footprint area. Dimensions to be > 2900 x 2900 x 150 deep min. (units in mm).

GUNNEBO[®]
For a safer world

SITE PREPARATION : GyroPass 2680 3 wings

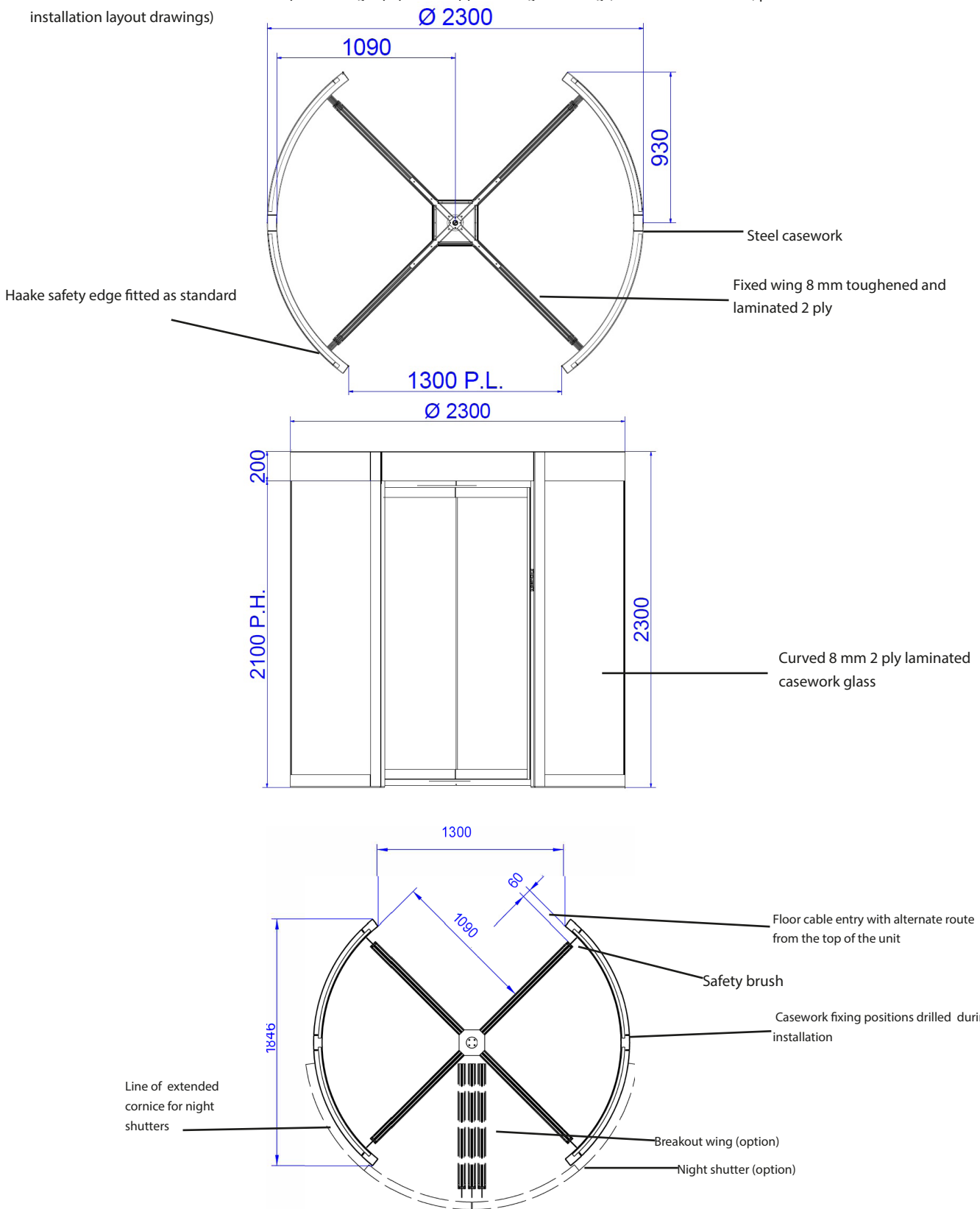
Product is delivered in a kit form and requires lifting equipment. Approx. Weight 1160 kg (for installation details, please refer to installation layout drawings)



Concrete Base to specification at least (cube) 30N/mm² of resistance. Base to be flat and level to +/-5mm over footprint area. Dimensions to be > 2900 x 2900 x 150 deep min. (units in mm).

SITE PREPARATION : GyroPass 2180 4 wings

Product is delivered in a kit form and requires lifting equipment. Approx. Weight 1040 kg (for installation details, please refer to installation layout drawings)

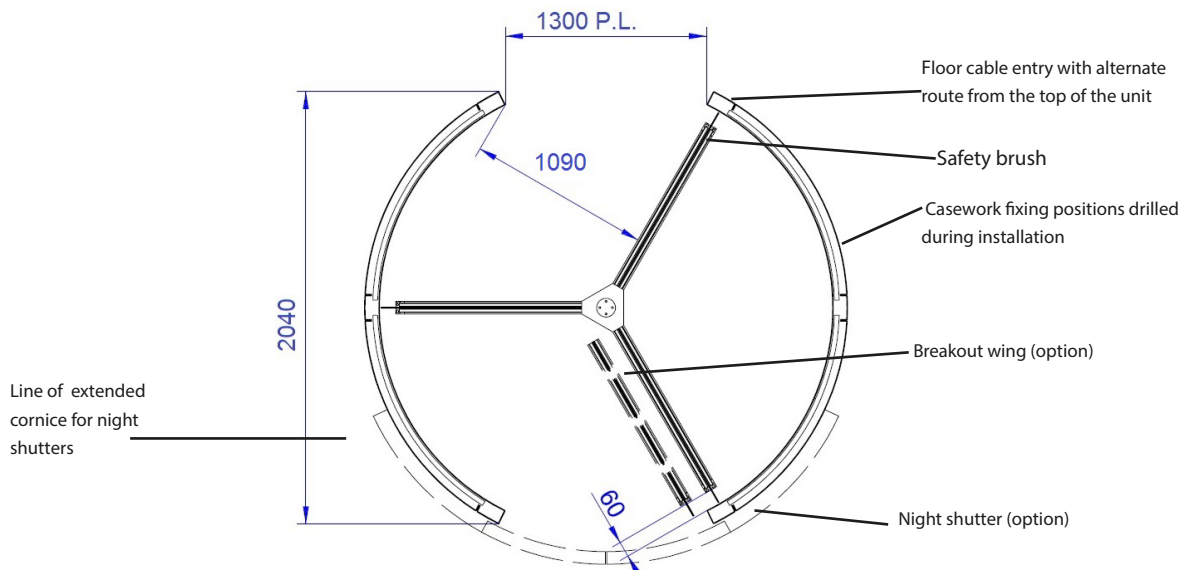
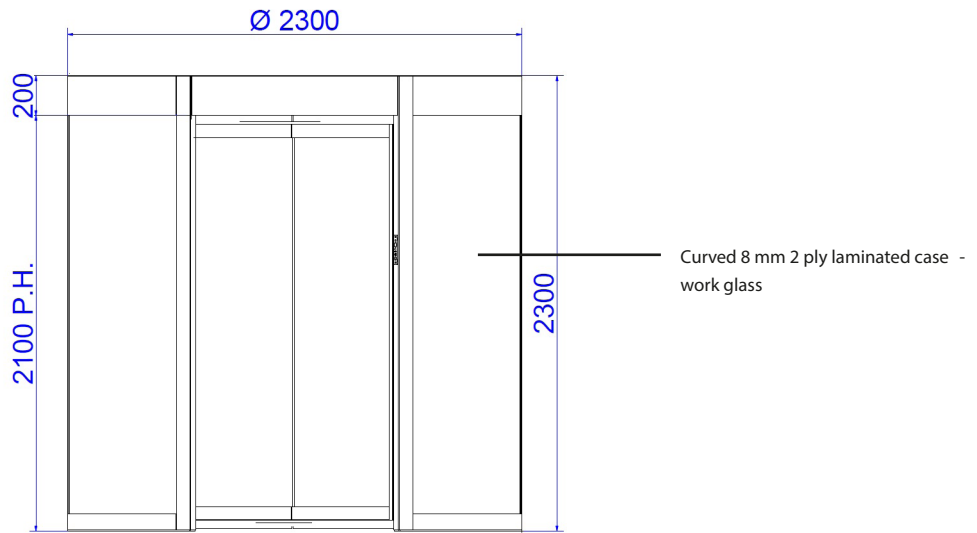
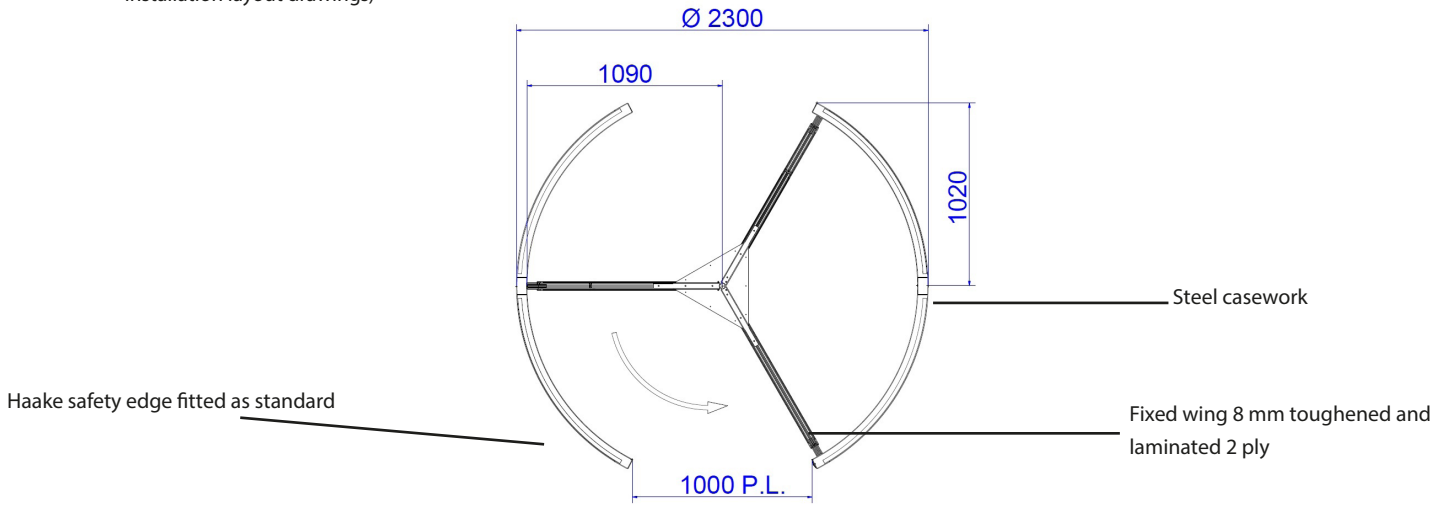


Concrete Base to specification at least (cube) 30N/mm² of resistance. Base to be flat and level to +/-5mm over footprint area. Dimensions to be > 2400 x 2400 x 150 deep min. (units in mm).



SITE PREPARATION : GyroPass 2180 3 wings

Product is delivered in a kit form and requires lifting equipment. Approx. Weight 1040 kg (for installation details, please refer to installation layout drawings)

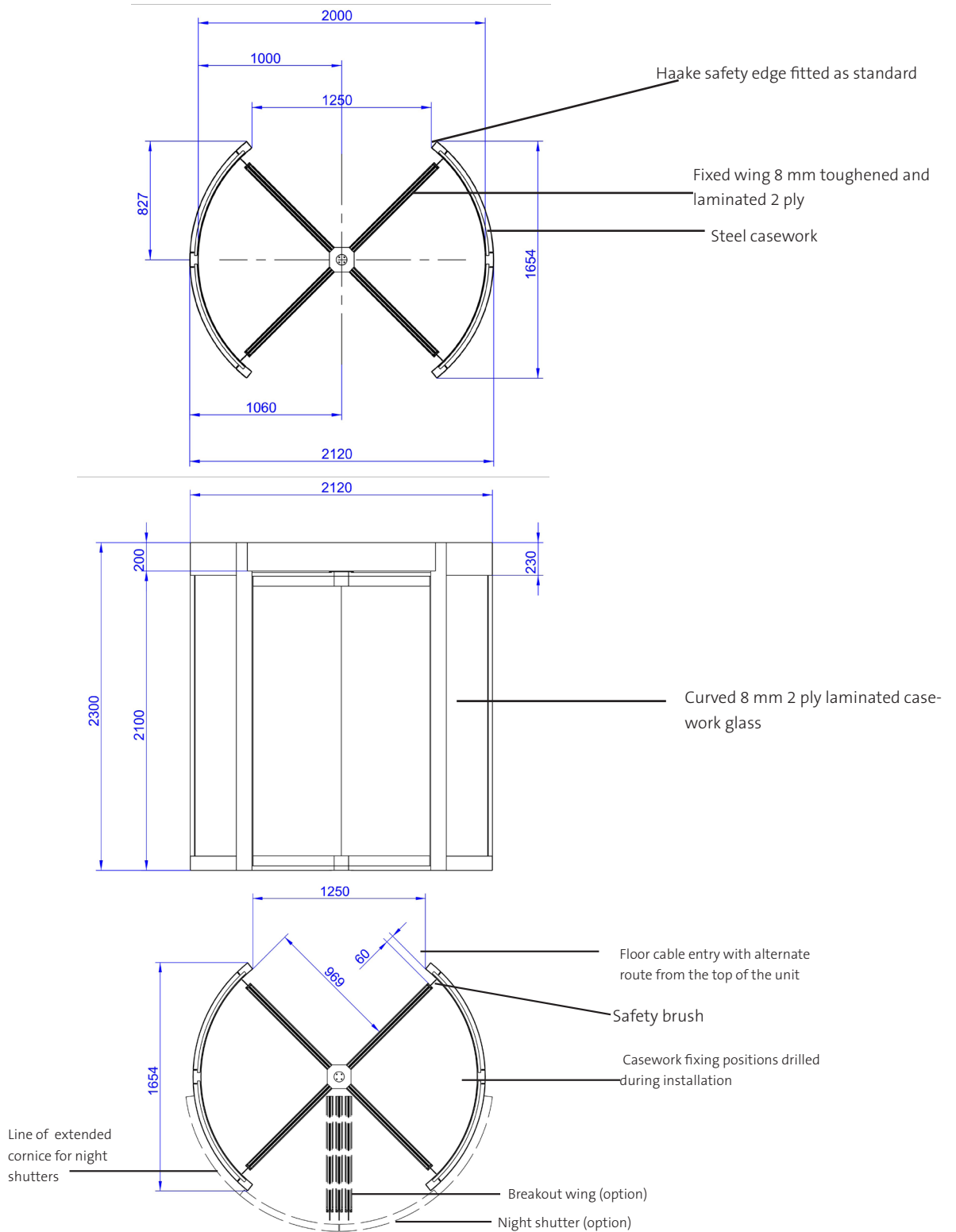


Concrete Base to specification at least (cube) 30N/mm² of resistance. Base to be flat and level to +/-5mm over footprint area. Dimensions to be >2400 x 2400 x 150 deep min. (units in mm).



SITE PREPARATION : GyroPass 2000 4 wings

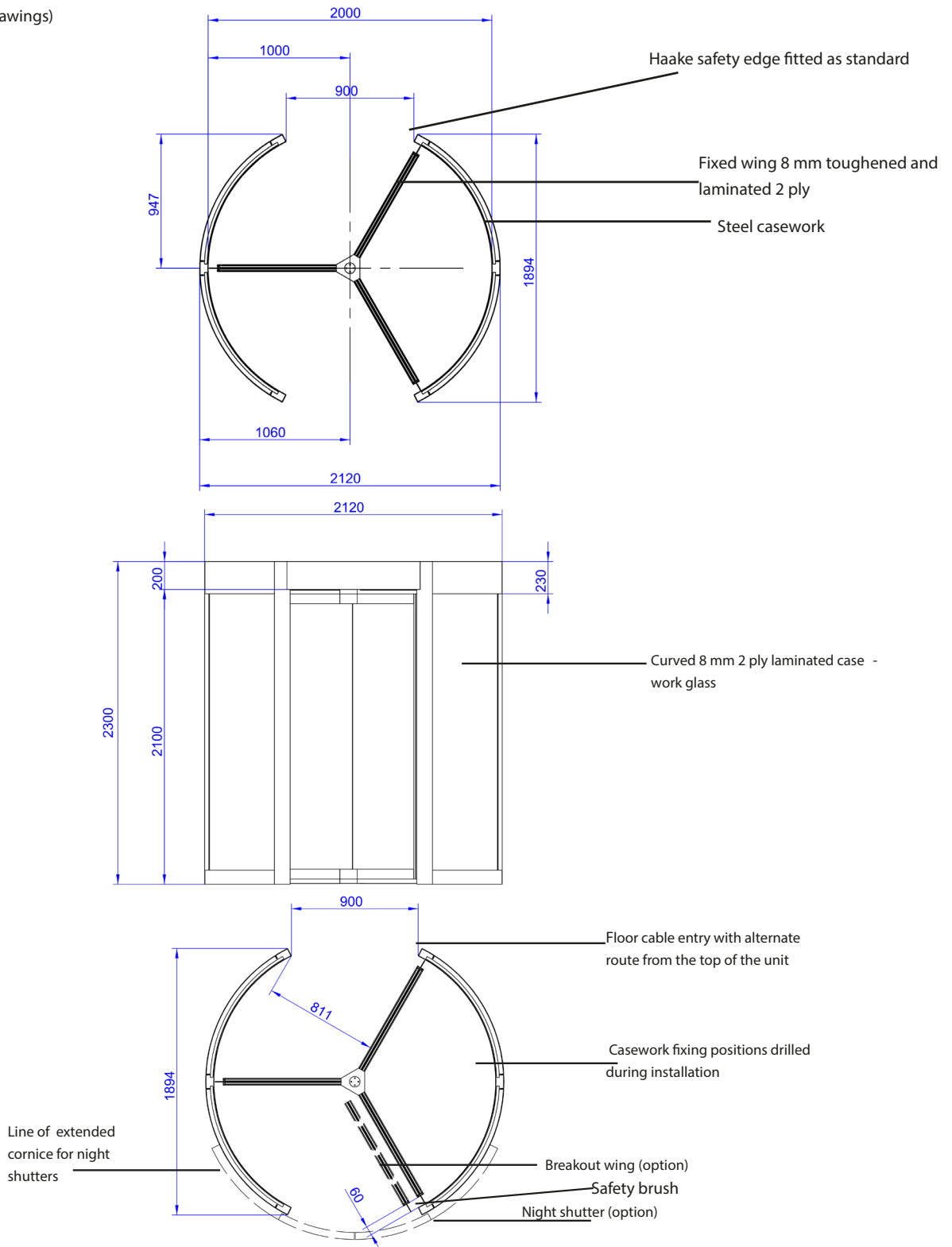
Product is delivered in a kit form and requires lifting equipment. Approx. Weight 710 kg (for installation details, please refer to installation layout drawings)



Concrete Base to specification at least (cube) 30N/mm² of resistance. Base to be flat and level to +/-5mm over footprint area. Dimensions to be > 2250 x 2250 x 150 deep min. (units in mm).

SITE PREPARATION : GyroPass 2000 3 wings

Product is delivered in a kit form and requires lifting equipment. Approx. Weight 710 kg (for installation details, please refer to installation layout drawings)



Concrete Base to specification at least (cube) 30N/mm² of resistance. Base to be flat and level to +/-5mm over footprint area. Dimensions to be >2250 x 2250 x 150 deep min. (units in mm).

IMPORTANT

- ③ Any horizontal pipe or conduit running below the GyroPass must be at least 140mm below FFL.
- ③ Metal conduit for cables should be raised at least 50mm from foundation.
- ③ It is the customer's responsibility to ensure the structural integrity and strength of the installation location.
- ③ The dimensions given in this Product Data Sheet are for information only. In order to prepare the installation site, please refer to your usual Gunnebo Customer Service contact.

CONDITION OF USE

When using Gunnebo's security access control gates, for security reasons, children must be supervised by an adult at all times.